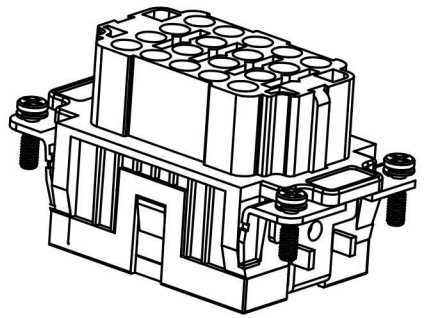


面板安装开孔图  
Panel cut out



技术参数:

- 插芯:
- 插针数: 18+PE
  - 额定电流: 16A
  - 额定电压: 500V
  - 额定脉冲电压: 6kV
  - 污染等级: 3
  - 依据UL/CSA的额定电压: 600V
  - 绝缘阻抗:  $>10^{10}\Omega$
  - 材料: 聚碳酸酯
  - 颜色: RAL 7032 (浅灰色)
  - 温度范围:  $-40^{\circ}\text{C} - +125^{\circ}\text{C}$
  - 依据UL 94的阻燃等级: V0
  - 可插拔次数:  $>500$
- 插针:
- 接线方式: 冷压连接
  - 材料: 铜合金
  - 表面处理:
    - 镀银
    - 镀金
  - 接触电阻:  $<1\text{m}\Omega$
  - 线径范围:  $0.14-4.0\text{mm}^2(26-12\text{ AWG})$
  - 剥线长度: 7.5mm
  - 工具:
    - 冷压钳:
      - TL02G(0.5-4mm<sup>2</sup>)
      - TL02(0.14-0.37mm<sup>2</sup>)
    - 退针器: TL01

Technical specification:

- Insters:
- No. of contact: 18+PE
  - Rated current: 16A
  - Rated voltage: 500V
  - Rated impulse voltage: 6kV
  - Pollution degree: 3
  - Rated voltage acc.to UL/CSA: 600V
  - Insulation resistance:  $>10^{10}\Omega$
  - Material: polycarbonate
  - Colour: RAL 7032(light grey)
  - Temperature range:  $-40^{\circ}\text{C} - +125^{\circ}\text{C}$
  - Flammability acc.to UL 94: V0
  - Mating cycles:  $>500$
- Contacts:
- Terminal: crimp terminal
  - Material: copper alloy
  - Surface:
    - Hard-silver plated
    - Hard-gold plated
  - Contact resistance:  $<1\text{m}\Omega$
  - Wire gauge:  $0.14-4.0\text{mm}^2(26-12\text{ AWG})$
  - Stripping length: 7.5mm
  - Tools:
    - Crimp contact tool:
      - TL02G(0.5-4mm<sup>2</sup>)
      - TL02(0.14-0.37mm<sup>2</sup>)
    - Contact removal tool: TL01

|               |              |                  |            |                 |                |            |   |            |                   |                     |
|---------------|--------------|------------------|------------|-----------------|----------------|------------|---|------------|-------------------|---------------------|
|               |              |                  |            |                 | 表面处理<br>Finish | -          |   |            | 图号<br>Drawing No. | -                   |
|               |              |                  |            |                 | 材料<br>Material | -          |   |            | 产品代号<br>Part Code | HEE-018-FC          |
| 标记<br>Mark    | 处数<br>Number | 变更描述/Description |            | 签名<br>Signature | 日期<br>Date     |            |   |            | 产品料号<br>Part No.  | 2050184201          |
|               |              | 姓名/Name          | 日期/Date    |                 | 姓名/Name        | 日期/Date    | 比例<br>Scale                                   | 版本<br>REV. | 重量<br>Weight      | 数量<br>Qty.          |
| 绘图<br>Drawn   |              |                  | 18.10.2010 | 标准化<br>Stand.   | -              | -          | 1:1   | V1.0       | 52.2g             | -                   |
| 审核<br>Checked |              |                  | 18.10.2010 |                 |                |            |   |            |                   |                     |
| 工艺<br>Process |              |                  |            | 批准<br>Approved  |                | 18.10.2010 | All Dimensions in mm<br>Original Size DIN A 4 |            |                   | 产品名称<br>Part Name   |
|               |              |                  |            |                 |                |            |   |            |                   | HDXBSCN 浙江西霸士电气有限公司 |